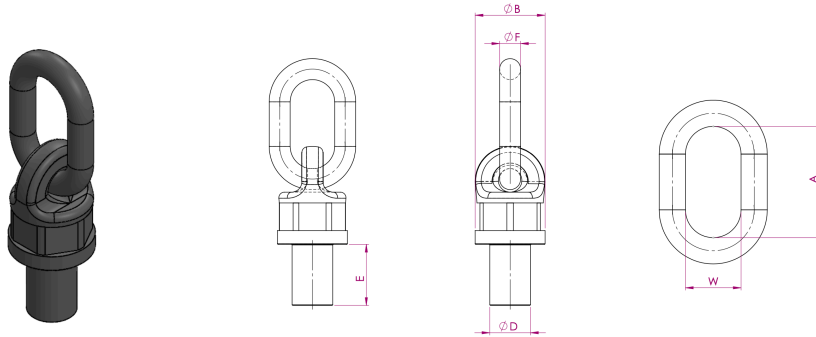




**Swivel Power Point**

- For easy lifting of mould and dies
- Proof load: 2 times the Working Load Limit
- 360 Deg Swivel Movement; 180 Deg Pivot Movement
- Safety factor: 4:1
- Surface finish: powder coated yellow / blue / red / orange
- Marking: CE
- Available in Special Length against request
- All dimensions are in mm

*\* dimensions & details are indicative and subject to change as per availability*



Code	WLL	Thread Dia	E	W (±5)	A (±5)	F (±2)	B (±5)	Weight /Pc	Article Number
	[ton]								
HSPP0003	0.3	M8	13	30	55	13	36	0.41	8HFN00218
HSPP0045	0.45	M10	18	30	55	13	36	0.43	8HFN00219
HSPP0050	0.5	M12	18	30	55	13	36	0.44	8HFN00220
HSPP0112	1.12	M16	20	30	55	13	36	0.46	8HFN00221
HSPP0200	2	M20	30	35	70	16	50	0.96	8HFN00222
HSPP03150	3.15	M24	30	40	85	18	57	1.45	8HFN00223
HSPP0530	5.3	M30	35	40	85	20	66	2.17	8HFN00224
HSPP0800	8	M36	50	50	115	22	80	3.6	8HFN00225
HSPP0800	8	M39	50	50	115	25	80	3.8	8HFN00226
HSPP1000	10	M42	50	50	115	25	80	3.8	8HFN00227
HSPP1000	10	M48	50	50	115	25	80	4.02	8HFN00228
HSPP1500	15	M56	84	70	152	32	117	11.6	8HFN00229
HSPP1500	15	M64	95	70	152	32	117	12.4	8HFN00230