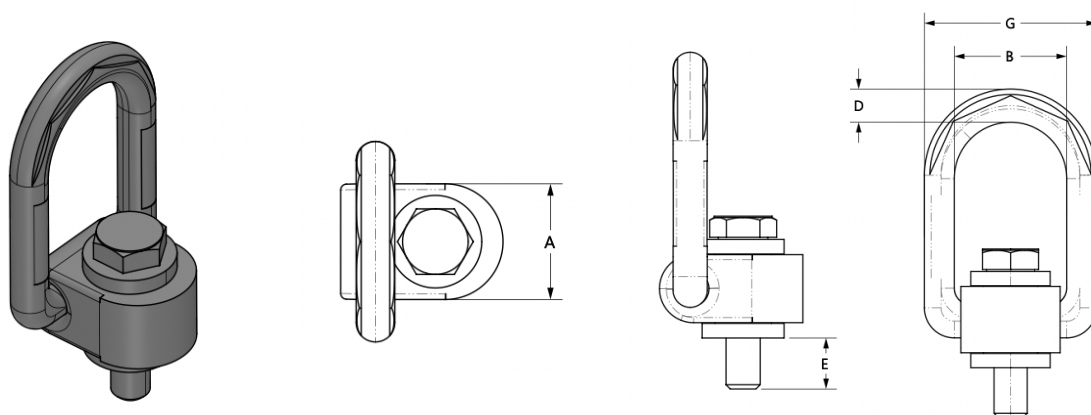


Rotating Load Ring

- For easy lifting of mould and dies
- Proof load: 2 times the Working Load Limit
- 360 Deg Swivel Movement; 100 Deg Pivot Movement
- Safety factor: 4:1
- Surface finish: powder coated yellow / blue / red / orange
- Marking: CE
- Available in Special Length against request
- All dimensions are in mm

** dimensions & details are indicative and subject to change as per availability*



Code	WLL	Thread dia	E	A	D	B	G	Weight/ Pc	Article Number
	ton							[mm]	
HRLP0003	0.3	M8	11	34	14	37	57	0.5	8HFN00200
HRLP0063	0.63	M10	16	34	14	37	57	0.5	8HFN00201
HRLP0100	1	M12	18	34	14	37	57	0.5	8HFN00202
HRLP0120	1.2	M14	21	34	14	37	57	0.5	8HFN00203
HRLP0150	1.5	M16	24	34	14	37	57	0.5	8HFN00204
HRLP0200	2	M18	26	50	16.5	54	57	1.5	8HFN00205
HRLP0250	2.5	M20	30	50	16.5	54	82	1.5	8HFN00206
HRLP0400	4	M24	36	50	16.5	54	82	2	8HFN00207
HRLP0400	4	M27	38	60	22	65	82	3.0	8HFN00208
HRLP0500	5	M30	48	60	22	65	99	3.5	8HFN00209
HRLP0700	7	M36	54	60	22	65	99	3.5	8HFN00210
HRLP0800	8	M36	62	77	27	85	123	6.0	8HFN00211
HRLP1000	10	M42	72	77	27	85	123	6.5	8HFN00212
HRLP1500	15	M42	63	95	36	104	158	11.0	8HFN00213
HRLP2000	20	M48	72	95	36	104	158	12.0	8HFN00214