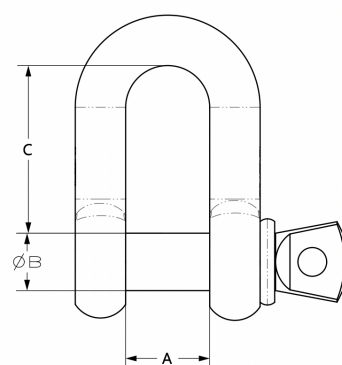
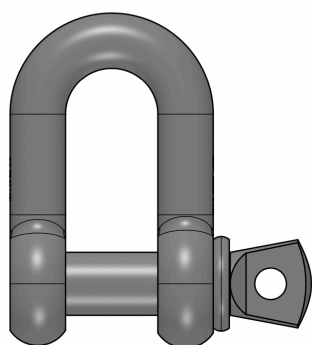




- Drop forged, quenched and tempered, with alloy pins.
- Minimum breaking load is 6 times of working load limit.
- Working Load Limit permanently shown on every shackle.

dimensions are indicative and subject to change as per availability

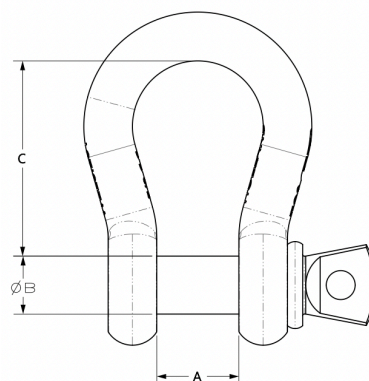
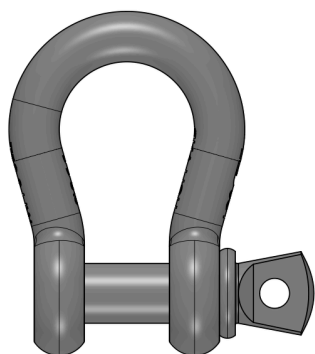


Code	WLL	Dimensions			Weight	Article Number
	ton	A	B	C	kg	
HDSSP001	1	17	11	36.5	0.1	8HFN00123
HDSSP002	2	20.5	16	48	0.3	8HFN00124
HDSSP032	3.25	27	19	60	0.6	8HFN00125
HDSSP047	4.75	32	22	71	1.0	8HFN00126
HDSSP065	6.5	36.5	25	84	1.5	8HFN00127
HDSSP085	8.5	43	29	95	2.4	8HFN00128
HDSSP095	9.5	46	32	108	3.1	8HFN00129
HDSSP120	12	51.5	35	119	4	8HFN00130
HDSSP135	13.5	57	38	133	6.0	8HFN00131
HDSSP170	17	60	41	146	7.8	8HFN00132
HDSSP250	25	73	51	178	13.8	8HFN00133
HDSSP350	35	82.5	57	197	20.4	8HFN00134
HDSSP550	55	105	70	267	38.9	8HFN00135



- Drop forged, quenched and tempered, with alloy pins.
- Minimum breaking load is 6 times of working load limit.
- Working Load Limit permanently shown on every shackle.

dimensions are indicative and subject to change as per availability

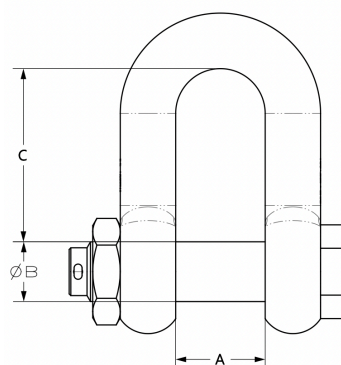
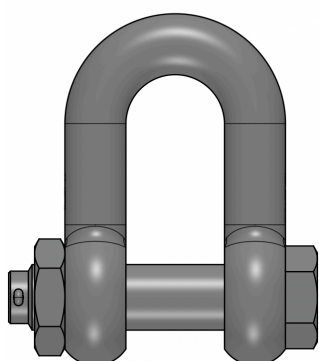


Code	WLL	Dimensions			Weight	Article Number
	ton	A	B	C	kg	
HBSSP001	1	17	11	36.5	0.1	8HFN00136
HBSSP002	2	20.5	16	48	0.3	8HFN00137
HBSSP032	3.25	27	19	60	0.6	8HFN00138
HBSSP047	4.75	32	22	71	1.0	8HFN00139
HBSSP065	6.5	36.5	25	84	1.5	8HFN00140
HBSSP085	8.5	43	29	95	2.4	8HFN00141
HBSSP095	9.5	46	32	108	3.1	8HFN00142
HBSSP120	12	51.5	35	119	4	8HFN00143
HBSSP135	13.5	57	38	133	6.0	8HFN00144
HBSSP170	17	60	41	146	7.8	8HFN00145
HBSSP250	25	73	51	178	13.8	8HFN00146
HBSSP350	35	82.5	57	197	20.4	8HFN00147
HBSSP550	55	105	70	267	38.9	8HFN00148



- Drop forged, quenched and tempered, with alloy pins.
- Minimum breaking load is 6 times of working load limit.
- Working Load Limit permanently shown on every shackle.

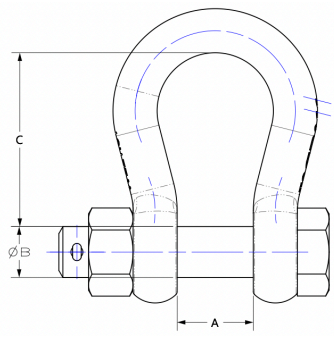
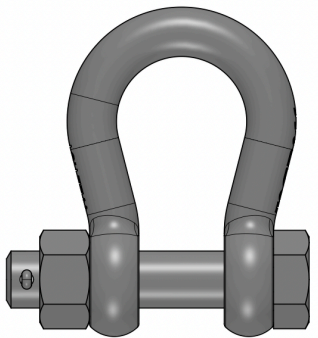
dimensions are indicative and subject to change as per availability



Code	WLL	Dimensions			Weight	Article Number
	ton	A	B	C	kg	
HDSNB001	1	17	11	36.5	0.1	8HFN00149
HDSNB002	2	20.5	16	48	0.3	8HFN00150
HDSNB032	3.25	27	19	60	0.6	8HFN00151
HDSNB047	4.75	32	22	71	1.0	8HFN00152
HDSNB065	6.5	36.5	25	84	1.5	8HFN00153
HDSNB085	8.5	43	29	95	2.4	8HFN00154
HDSNB095	9.5	46	32	108	3.1	8HFN00155
HDSNB120	12	51.5	35	119	4	8HFN00156
HDSNB135	13.5	57	38	133	6.0	8HFN00157
HDSNB170	17	60	41	146	7.8	8HFN00158
HDSNB250	25	73	51	178	13.8	8HFN00159
HDSNB350	35	82.5	57	197	20.4	8HFN00160
HDSNB550	55	105	70	267	38.9	8HFN00161



- Drop forged, quenched and tempered, with alloy pins.
 - Minimum breaking load is 6 times of working load limit.
 - Working Load Limit permanently shown on every shackle.
- dimensions are indicative and subject to change as per availability*



Code	WLL	Dimensions			Weight	Article Number
	ton	A	B	C	kg	
HBSNB001	1	17	11	36.5	0.1	8HFN00162
HBSNB002	2	20.5	16	48	0.3	8HFN00163
HBSNB032	3.25	27	19	60	0.6	8HFN00164
HBSNB047	4.75	32	22	71	1.0	8HFN00165
HBSNB065	6.5	36.5	25	84	1.5	8HFN00166
HBSNB085	8.5	43	29	95	2.4	8HFN00167
HBSNB095	9.5	46	32	108	3.1	8HFN00168
HBSNB120	12	51.5	35	119	4	8HFN00169
HBSNB135	13.5	57	38	133	6.0	8HFN00170
HBSNB170	17	60	41	146	7.8	8HFN00171
HBSNB250	25	73	51	178	13.8	8HFN00172
HBSNB350	35	82.5	57	197	20.4	8HFN00173
HBSNB550	55	105	70	267	38.9	8HFN00174
HBSNB850	85	127	82.5	330	72.0	8HFN00175
HBSNB12H	120	133	95.5	372	120.0	8HFN00176
HBSNB15H	150	140	108	373	153.0	8HFN00177