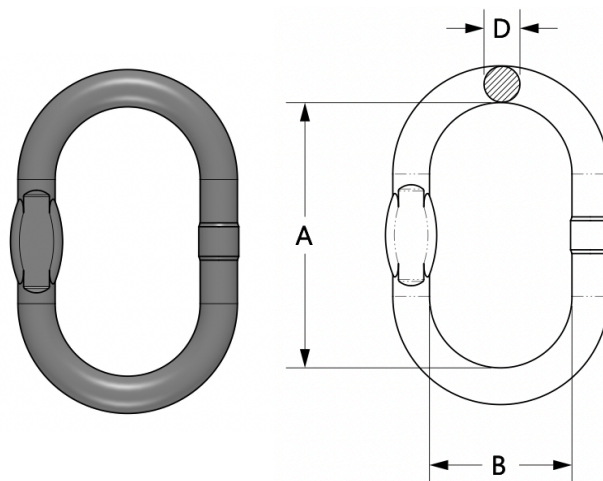




Master Link for 1-leg or 2-leg sling

G80 master links are used on top of lifting slings (chain / wire rope / textile slings) to connect with the EOT crane or other major material handling equipment

- **Material:** alloy steel, grade 8, quenched & tempered.
- **Standard:** EN 1677
- **Proof load:** 2.5 times the Working Load Limit
- **Safety factor:** 4:1
- **Surface finish:** powder coated yellow / blue / red
- **Certification:** CE



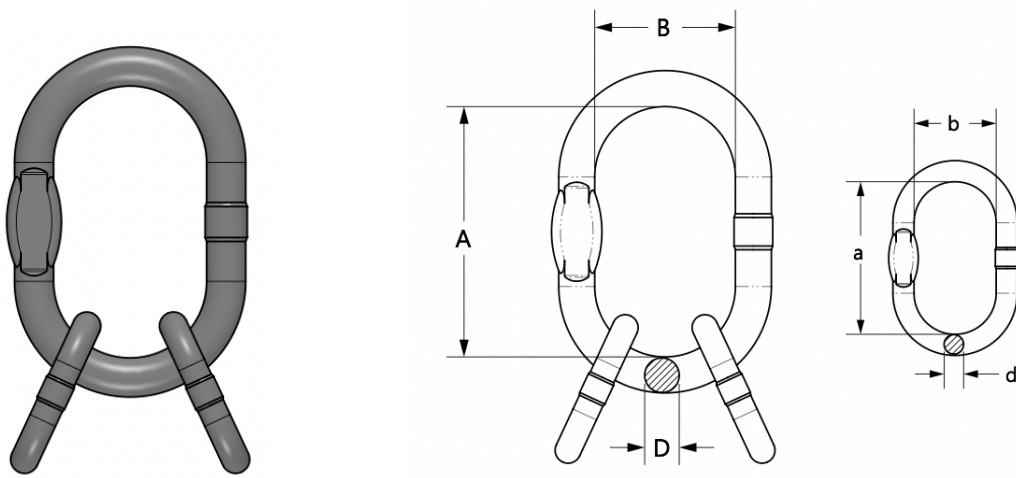
Code	Chain Size		WLL ton	Dimensions ± 2			Weight kg	Article Number
	1 Leg	2 Leg		A	B	D		
08HML0006	6	6	1.6	110	60	13	0.34	8HFN0001
08HML0800	8	-	2.12	110	60	16	0.54	8HFN0002
08HML1008	10	8	3.15	135	75	18	0.823	8HFN0003
08HML1310	13	10	5.3	160	90	22	1.5	8HFN0004
08HML1613	16	13	8	180	100	26	2.32	8HFN0005
08HML1816	18	16	11.2	200	110	32	3.95	8HFN0006
08HML2018	20	18	14	260	140	36	6.34	8HFN0007
08HML2220	22	20	17	300	160	40	8.96	8HFN0008
08HML2622	26	22	21.2	340	180	45	12.8	8HFN0009
08HML3226	32	26	31.5	350	190	50	16.55	8HFN0010
08HML3632	-	32	45	400	200	56	23.28	8HFN0011
08HML4036	-	-	56	430	220	63	32	8HFN0012
08HML0072	-	-	63	460	250	72	45.76	8HFN0013



Master Link Assembly for 3-leg or 4-leg sling

G80 master link assemblies are used on top of lifting slings (chain / wire rope / textile slings) to connect with the EOT crane or other major material handling equipment

- **Material:** alloy steel, grade 8, quenched & tempered.
- **Standard:** EN 1677
- **Proof load:** 2.5 times the Working Load Limit
- **Safety factor:** 4:1
- **Surface finish:** powder coated yellow / blue / red
- **Certification:** CE

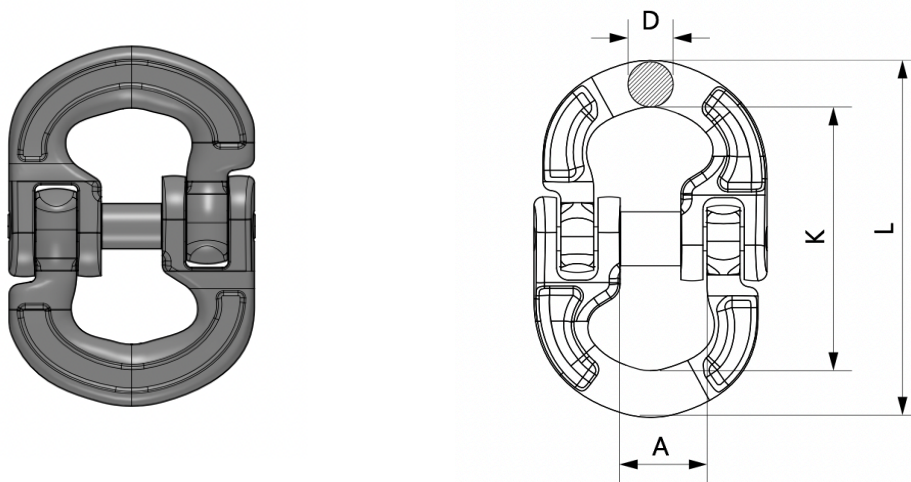


Code	Chain Size	WLL ton	Dimensions(mm)						Weight kg	Article Number
	mm		A	B	D	a	b	d		
08HMLA06	6	2.36	135	75	18	54	25	13	1.18	8HFN0014
08HMLA07	7	3.15	135	75	18	60	38	13	1.24	8HFN0015
08HMLA08	8	4.25	160	90	22	70	34	16	2.2	8HFN0016
08HMLA10	10	6.7	180	100	26	85	40	18	3.4	8HFN0017
08HMLA13	13	11.2	200	110	32	115	50	22	6.1	8HFN0018
08HMLA16	16	17	260	140	36	140	65	26	9.98	8HFN0019
08HMLA18	18	21.2	340	180	45	180	100	32	18.9	8HFN0020
08HMLA20	20	26.5	350	190	50	180	100	32	23.7	8HFN0021
08HMLA22	22	31.5	350	190	50	180	100	36	25.2	8HFN0022
08HMLA26	26	45	400	200	56	180	100	40	35.2	8HFN0023
08HMLA28	28	50	430	220	63	180	100	45	47	8HFN0024
08HMLA32	32	67	460	250	72	200	110	50	66.46	8HFN0025

Connecting Link

Grade 80 Connecting Link / G80 Chain Connector / G8 Hammer Lock / Grade 80 connecting links are designed to suit chain slings for industrial lifting applications.

- **Material:** alloy steel, grade 8, quenched & tempered.
- **Standard:** EN 1677
- **Proof load:** 2.5 times the Working Load Limit
- **Safety factor:** 4:1
- **Surface finish:** powder coated yellow / blue / red
- **Certification:** CE

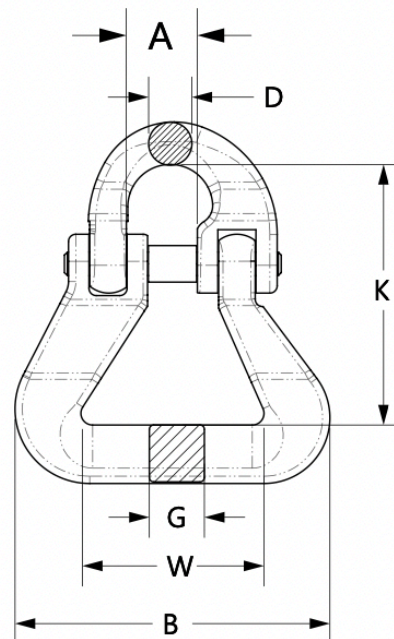
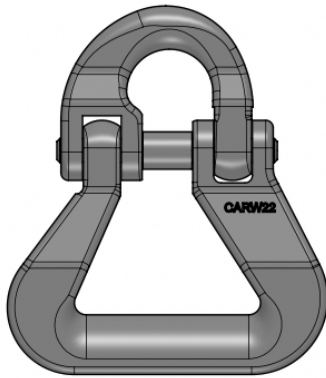


Code	Chain Size	WLL ton	Dimensions ± 2				Weight kg	Article Number
	mm		A	L	K	D		
08HCL06	6	1.12	15	58	42	7	0.08	8HFN0026
08HCL08	8	2	21	80	61	9	0.15	8HFN0027
08HCL10	10	3.15	26	91	68	12	0.30	8HFN0028
08HCL13	13	5.3	30	117	87	15	0.65	8HFN0029
08HCL16	16	8	35	148	108	20	1.15	8HFN0030
08HCL18	18	10	38	154	112	21	1.84	8HFN0031
08HCL20	18/20	12.5	41	170	122	24	2.10	8HFN0032
08HCL22	22	15	50	194	142	26	2.87	8HFN0033
08HCL26	26	21.2	58	220	158	30	4.50	8HFN0034
08HCL32	32	31.5	68	281	205	37	8.21	8HFN0035

Connecting Link for Webbing Sling

Grade 80 Webbing Connecting Link are designed to suit textile slings (flat / round) to connect with other rigging hardware.

- **Material:** alloy steel, grade 8, quenched & tempered.
- **Standard:** EN 1677
- **Proof load:** 2.5 times the Working Load Limit
- **Safety factor:** 4:1
- **Surface finish:** powder coated yellow / blue / red
- **Certification:** CE

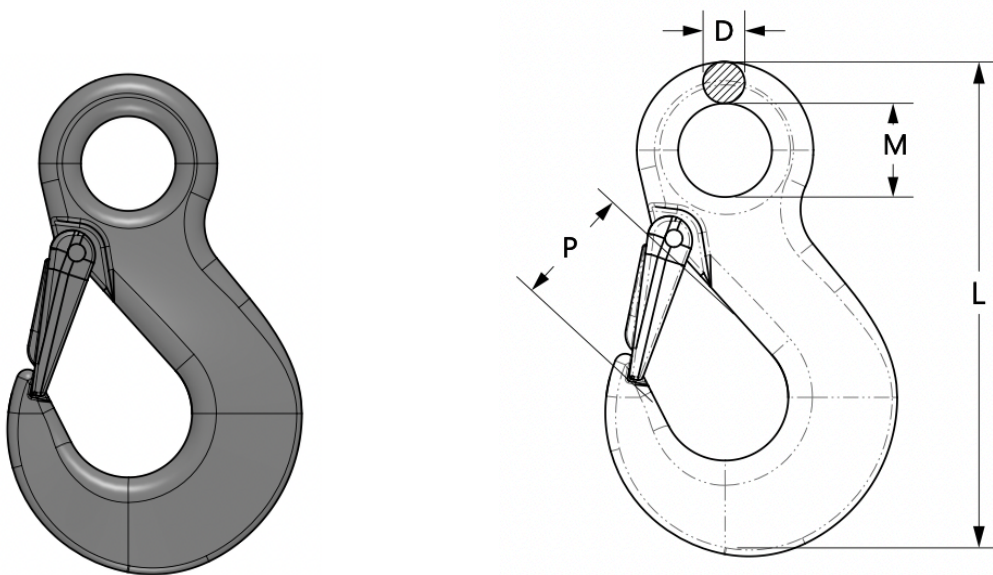


Code	Chain Size	WLL ton	Dimensions						Weight	Article Number
	mm		A	B	K	W	G	D	kg	
08HCW06	6	1.12	15	60	56	40	18	7	0.08	8HFN0036
08HCW08	8	2	20	61.5	64	40	24	8	0.15	8HFN0037
08HCW10	10	3.15	24	75	83	45	30	9	0.30	8HFN0038
08HCW13	13	5.3	28	88	94	54	37	16	0.65	8HFN0039
08HCW16	16	8	35	108	120	65	45	20	1.15	8HFN0040
08HCW20	20	12.5	41	129	138	80	52	23	2.10	8HFN0041
08HCW22	22	15	50	191	180	126	70	26	2.87	8HFN0042
08HCW26	26	21.2	58	228	209	152	86	30	4.50	8HFN0043
08HCW32	32	31.5	73	252	279	160	91	55	8.21	8HFN0044

Eye Hook

Grade 80 Eye Hooks are designed to suit chain / wire rope / textile lifting slings.

- **Material:** alloy steel, grade 8, quenched & tempered.
- **Standard:** EN 1677
- **Proof load:** 2.5 times the Working Load Limit
- **Safety factor:** 4:1
- **Surface finish:** powder coated yellow / blue / red
- **Certification:** CE

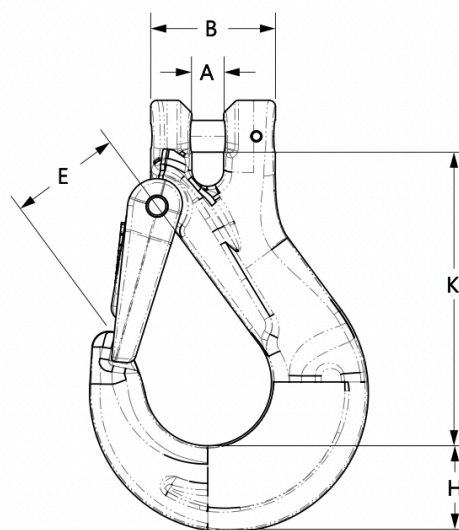
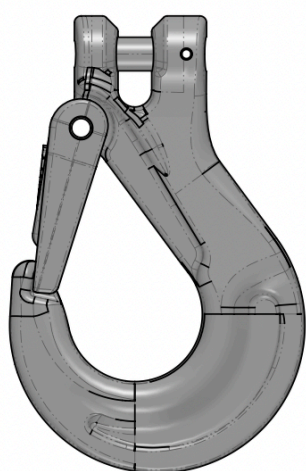


Code	Chain Size	WLL	Dimensions					Weight	Article Number
	mm	ton	D	E	M	P	L	kg	
08HEH06	6	1.12	9	21	20	20	108	0.3	8HFN0045
08HEH08	8	2	11	27	24	25	133	0.4	8HFN0046
08HEH10	10	3.15	15	28	38	38	167	0.9	8HFN0047
08HEH13	13	5.3	19	38	51	43	213	2.2	8HFN0048
08HEH16	16	8	23	42	62	50	255	3.2	8HFN0049
08HEH20	20	12.5	24	44.6	74.8	63	305	5.8	8HFN0050
08HEH22	22	15	32	70	68	62	348	9.2	8HFN0051
08HEH26	26	21.2	35	84	84	64	394	13	8HFN0052
08HEH32	32	31.5	37	102	100	88	480	18.5	8HFN0053

Clevis Hook

Grade 80 Clevis Hooks are designed to suit chain slings.

- **Material:** alloy steel, grade 8, quenched & tempered.
- **Standard:** EN 1677
- **Proof load:** 2.5 times the Working Load Limit
- **Safety factor:** 4:1
- **Surface finish:** powder coated yellow / blue / red
- **Certification:** CE

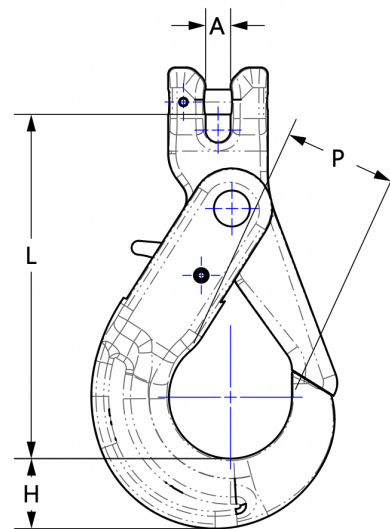
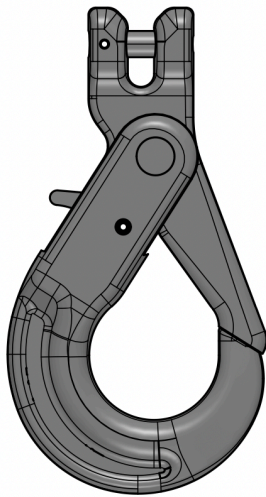


Code	Chain Size	WLL ton	Dimensions					Weight kg	Article Number
	mm		A	B	H	K	E		
08HCH06	6	1.12	8	32	23	76	35	0.3	8HFN0054
08HCH08	8	2	9.5	37	25	86.4	37	0.4	8HFN0055
08HCH10	10	3.15	12.5	49	31	104	46	0.9	8HFN0056
08HCH13	13	5.3	16.5	56.5	42.5	128	56	2.2	8HFN0057
08HCH16	16	8	21.5	70.5	54	150	60	3.2	8HFN0058
08HCH20	20	12.5	24	77	58	180	79	5.8	8HFN0059
08HCH22	22	15	26	91	62	213	101	9.2	8HFN0060
08HCH26	26	21.2	30	117	75	250	115	13	8HFN0061
08HCH32	32	31.5	35	150	88	317	140	18.5	8HFN0062

Clevis Self Locking Hook

Grade 80 Clevis Self Locking Hooks are designed to suit chain slings.

- **Material:** alloy steel, grade 8, quenched & tempered.
- **Standard:** EN 1677
- **Proof load:** 2.5 times the Working Load Limit
- **Safety factor:** 4:1
- **Surface finish:** powder coated yellow / blue / red
- **Certification:** CE



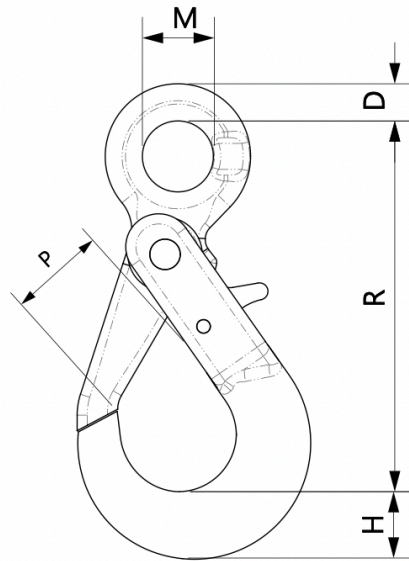
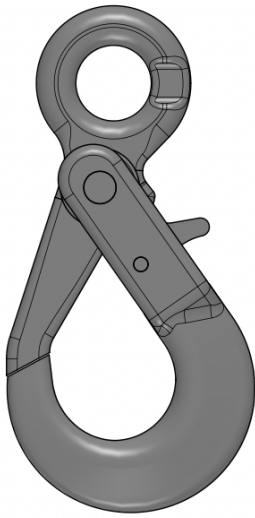
Code	Chain Size	WLL ton	Dimensions				Weight kg	Article Number
	mm		A	H	P	L		
08HCSH06	6	1.12	8	20	34	99	0.44	8HFN0072
08HCSH08	8	2	9.5	26	44	119	0.8	8HFN0073
08HCSH10	10	3.15	12.5	30	58	142	1.38	8HFN0074
08HCSH13	13	5.3	15	40	70	179	2.81	8HFN0075
08HCSH16	16	8	18.5	50.5	86	225	6	8HFN0076
08HCSH20	20	12.5	24	55	97	238	7.25	8HFN0077
08HCSH22	22	15	25	67	98	277	12.8	8HFN0078
08HCSH26	26	21.2	30	75	110	312	21.8	8HFN0079
08HCSH32	32	31.5	35	97	164	416	49.6	8HFN0080



Eye Self Locking Hook

Grade 80 Eye Self Locking Hooks are designed to suit chain slings.

- **Material:** alloy steel, grade 8, quenched & tempered.
- **Standard:** EN 1677
- **Proof load:** 2.5 times the Working Load Limit
- **Safety factor:** 4:1
- **Surface finish:** powder coated yellow / blue / red
- **Certification:** CE



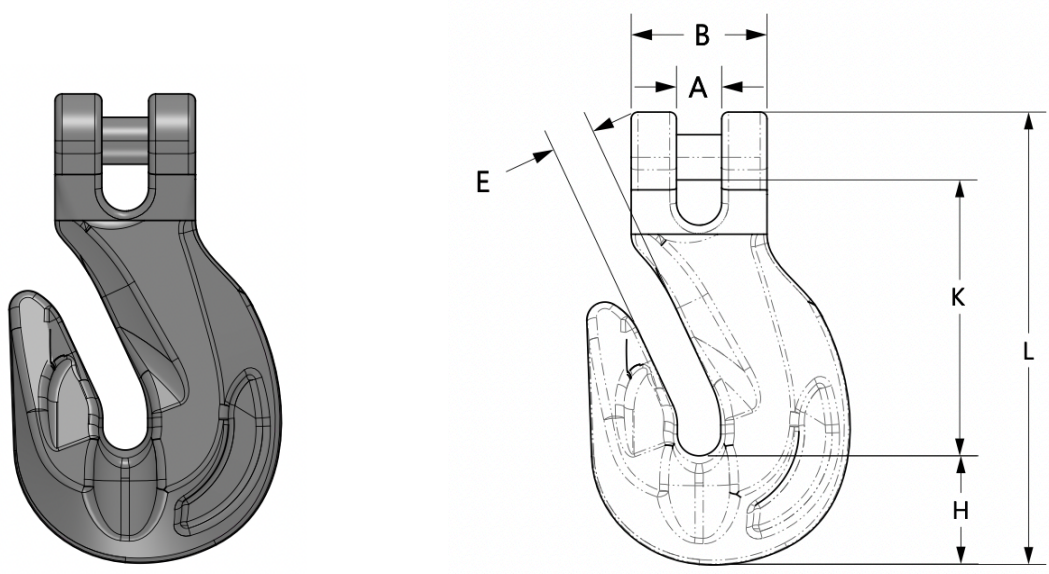
Code	Chain Size	WLL ton	Dimensions					Weight kg	Article Number
	mm		M	R	D	P	H		
08HSH06	6	1.12	21	110	11	34	20	0.5	8HFN0063
08HSH08	8	2	25	136	13	44	26	0.85	8HFN0064
08HSH10	10	3.15	34.5	168	15	58	30	1.42	8HFN0065
08HSH13	13	5.3	39.5	207	21	70	40	2.86	8HFN0066
08HSH16	16	8	50	254	27	86	50.5	5.9	8HFN0067
08HSH20	20	12.5	64.5	278	27	97	55	8.5	8HFN0068
08HSH22	22	15	70	319	32	98	67	11.6	8HFN0069
08HSH26	26	21.2	80	362	34	110	75	18	8HFN0070
08HSH32	32	31.5	105	470	45	164	97	46	8HFN0071



Clevis Grab Hook

Grade 80 Clevis Grab Hooks are designed to suit chain slings.

- **Material:** alloy steel, grade 8, quenched & tempered.
- **Standard:** EN 1677
- **Proof load:** 2.5 times the Working Load Limit
- **Safety factor:** 4:1
- **Surface finish:** powder coated yellow / blue / red
- **Certification:** CE

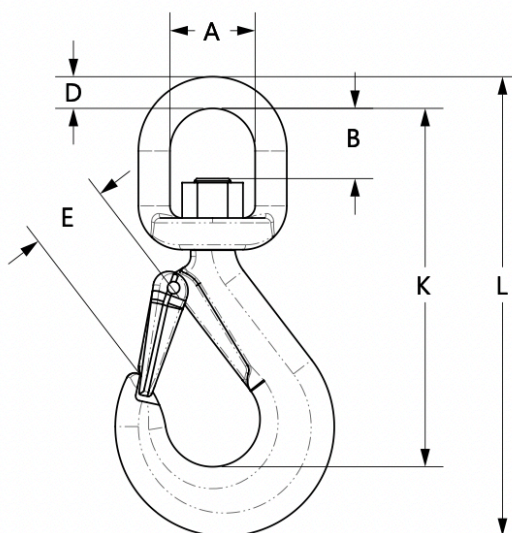
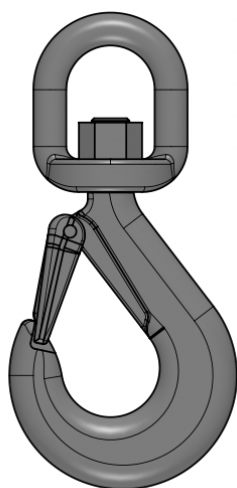


Code	Chain Size	WLL	Dimensions						Weight	Article Number
	mm	ton	A	E	B	H	K	L	kg	
08HCG07	7	1.60	9.5	9.5	41	23	65.3	106.5	0.31	8HFN0087
08HCG10	10	3.20	12.7	12.5	46	31	82	137	0.7	8HFN0088
08HCG13	13	5.4	16	16.7	61	43	113	184.5	1.8	8HFN0089
08HCG16	16	8.20	19.5	20	68.5	49	129.5	215	3.1	8HFN0090
08HCG20	20	12.8	24	24	88	58	152	254	4.1	8HFN0091
08HCG22	22	16	27	26	101	64.8	178	295	6.2	8HFN0092

Swivel Hook

Grade 80 Swivel Hooks are designed to suit chain slings.

- **Material:** alloy steel, grade 8, quenched & tempered.
- **Standard:** EN 1677
- **Proof load:** 2.5 times the Working Load Limit
- **Safety factor:** 4:1
- **Surface finish:** powder coated yellow / blue / red
- **Certification:** CE

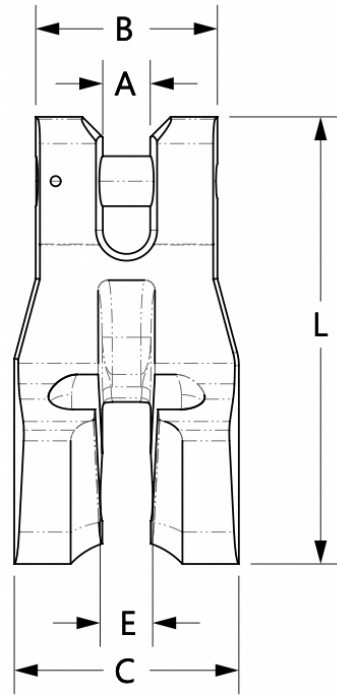
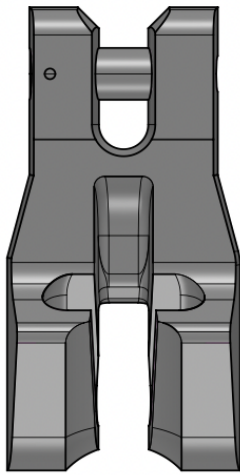


Code	Chain Size	WLL ton	Dimensions						Weight kg	Article Number
	mm		A	E	B	D	K	L		
08HSW06	6	1.12	32	17	22.5	9	109	137	0.3	8HFN0093
08HSW08	8	2	42	21.5	35	15.8	150	192	1.0	8HFN0094
08HSW10	10	3.15	42.5	26	35	15.8	162.5	208.5	1.2	8HFN0095
08HSW13	13	5.3	48	32.5	39	18	191	246	2.3	8HFN0096
08HSW16	16	8	62	43	53	25	243.5	313	4.7	8HFN0097
08HSW20	20	12.5	68	49.5	51	28.5	276.5	363.5	7.4	8HFN0098
08HSW22	22	15	79	54.5	65	32	332	431	10.6	8HFN0099
08HSW26	26	21.2	105	81	114	40	429.5	545.5	21	8HFN00100
08HSW32	32	31.5	105	100	96	40	465.3	596	32.0	8HFN00101

Shortening Clutch

Grade 80 Shortening Clutch are designed to suit chain slings.

- **Material:** alloy steel, grade 8, quenched & tempered.
- **Standard:** EN 1677
- **Proof load:** 2.5 times the Working Load Limit
- **Safety factor:** 4:1
- **Surface finish:** powder coated yellow / blue / red
- **Certification:** CE

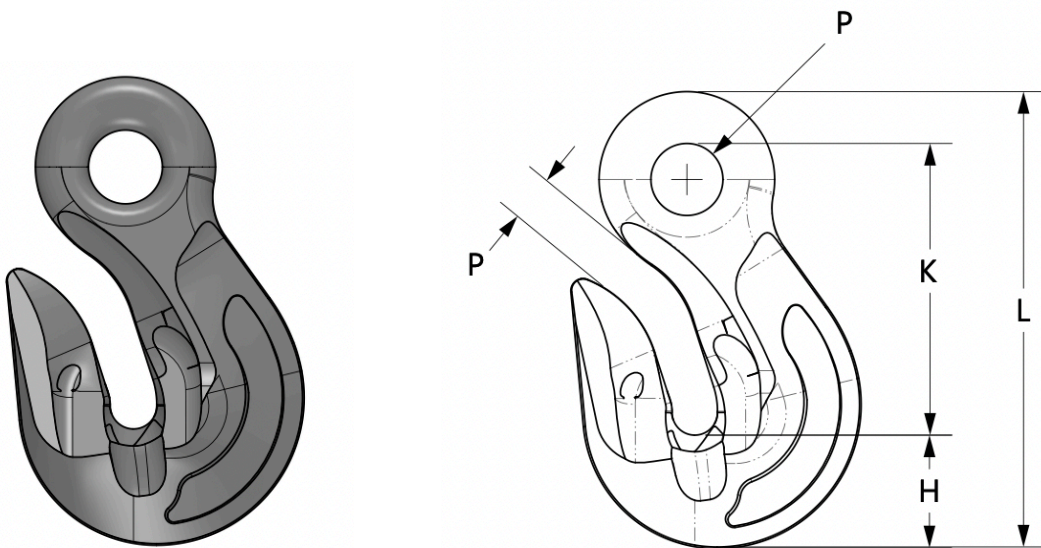


Code	Chain Size	WLL ton	Dimensions					Weight kg	Article Number
	mm		A	B	C	E	L		
08HSC06	6	1.12	7.5	30	32.8	7.5	73.5	0.2	8HFN00102
08HSC08	8	2	9.5	36	45	9.5	101	0.5	8HFN00103
08HSC10	10	3.15	13	48	55	13	138	0.9	8HFN00104
08HSC13	13	5.3	16.5	59	75	16.5	177	1.9	8HFN00105
08HSC16	16	8	21	73	93	21	220	3.5	8HFN00106
08HSC20	18/20	12.5	23.5	81	102	23.5	238	4.4	8HFN00107
08HSC22	22	15	25.5	98	118	25.5	295	8.1	8HFN00108

Eye Grab Hook

Grade 80 Eye Grab Hook are designed to suit chain slings.

- **Material:** alloy steel, grade 8, quenched & tempered.
- **Standard:** EN 1677
- **Proof load:** 2.5 times the Working Load Limit
- **Safety factor:** 4:1
- **Surface finish:** powder coated yellow / blue / red
- **Certification:** CE



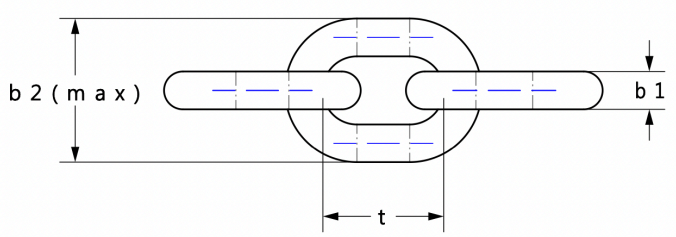
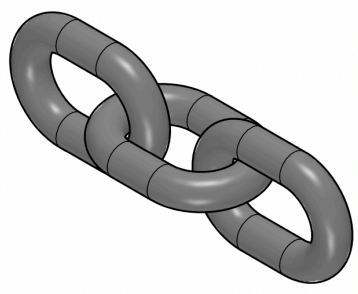
Code	Chain Size	WLL ton	Dimensions					Weight kg	Article Number
	mm		E	P	H	K	L		
08HGH07	7	1.60	9.5	15	23	64	98	0.3	8HFN0081
08HGH10	10	3.20	12.5	20	30	82	125	0.6	8HFN0082
08HGH13	13	5.4	17	25	42	106	165	1.3	8HFN0083
08HGH16	16	8.20	20	30	49	127	196.6	2.5	8HFN0084
08HGH20	20	12.8	23	34.5	56	152	231.6	3.8	8HFN0085
08HGH22	22	15.50	28.6	40.5	65.6	175	267.6	5.8	8HFN0086



Alloy Steel Chain

Grade 80 Alloy Steel Chains are designed to suit chain slings.

- **Material:** alloy steel, grade 8, quenched & tempered.
- **Standard:** EN 818-2
- **Proof load:** 2.5 times the Working Load Limit
- **Safety factor:** 4:1
- **Surface finish:** natural colour / self colour



Code	Diametre		Pitch		b1 [min]	b2 [max]	Load capacity [t]	Weight kg/mtr	Article Number
	Dia	Tolerance	[t]	Tolerance					
08HASC06	6	± 0.24	18	± 0.5	8	21.6	1.12	0.8	8HFN00109
08HASC07	7	± 0.28	21	± 0.6	9.45	25.2	1.5	1.1	8HFN00110
08HASC08	8	± 0.32	24	± 0.7	10.8	28.8	2	1.4	8HFN00111
08HASC09	9	± 0.38	27	± 0.8	11.25	30.7	2.5	1.8	8HFN00112
08HASC10	10	± 0.4	30	± 0.9	13.5	36	3.15	2.2	8HFN00113
08HASC12	12	±0.52	36	± 1.2	15	42.9	4.6	3.8	8HFN00114
08HASC14	14	± 0.55	42	± 1.3	18	50.3	6.3	4.2	8HFN00115
08HASC16	16	± 0.64	48	± 1.4	21.5	57.6	8	6	8HFN00116
08HASC18	18	± 0.9	54	± 1.6	23	64.8	10	6.9	8HFN00117
08HASC20	20	± 1	60	± 1.8	25	72	12.5	8.6	8HFN00118
08HASC22	22	± 1.1	66	± 2.0	28	79.2	15	10.2	8HFN00119
08HASC26	26	± 1.3	78	± 2.3	35	90	21.2	13.7	8HFN00120
08HASC28	28	± 1.4	84	± 2.5	37	101	25	17.2	8HFN00121
08HASC32	32	± 1.6	96	± 2.9	43.2	115	31.5	22.3	8HFN00122